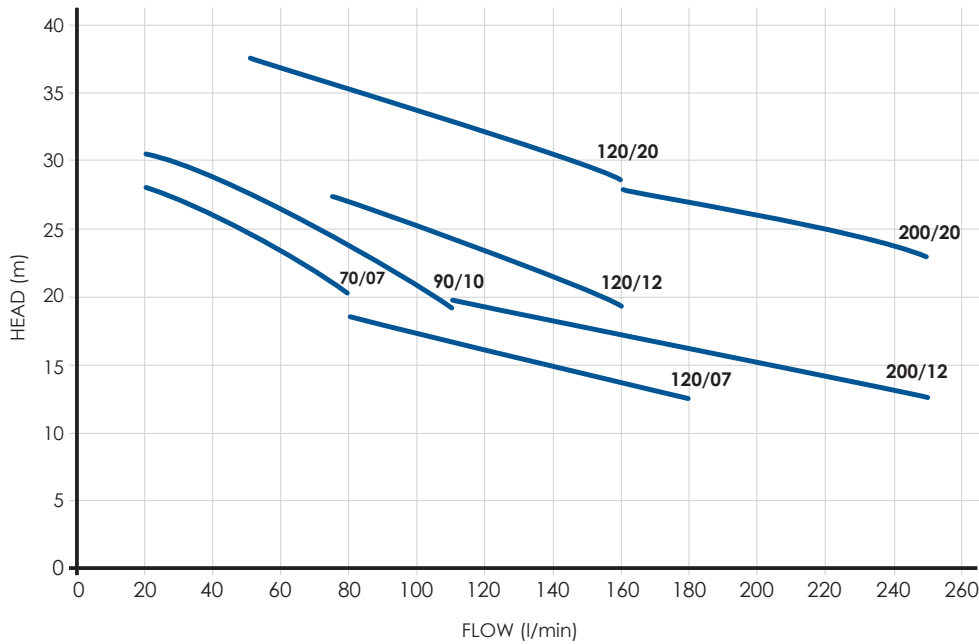


Ebara CDX Series



- Single impeller centrifugal pump
- Good all round pump that is ideal as a dairy vat wash pump
- 304 stainless steel pump body

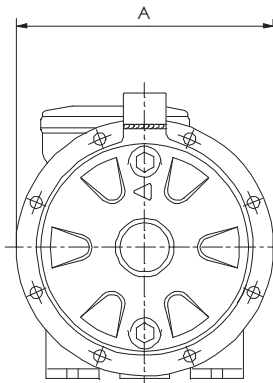
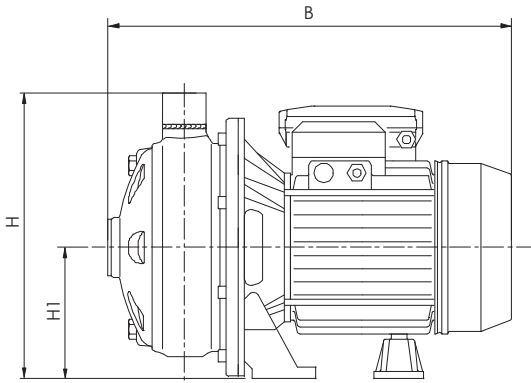


PERFORMANCE GUIDE

Code	Max Head (m)	Max Flow (l/min)	Max Pressure (psi)	Inlet (mm)	Outlet (mm)
PUEBACDXM70/07	30	80	43	32	25
PUEBACDXM90/10	32	110	45	32	25
PUEBACDXT90/10	32	110	45	32	25
PUEBACDXM120/07	27	150	38	32	25
PUEBACDXM120/12	32	160	45	32	25
PUEBACDXT120/12	32	160	45	32	25
PUEBACDXM120/20	41	160	58	32	25
PUEBACDXM200/12	23	250	32	40	25
PUEBACDXM200/20	34	250	48	40	25
PUEBACDXT200/20	34	250	48	40	25



Ebara CDX Series



ELECTRICAL DATA

Code	Current Type	kW	Hp	Amps	RPM/min	Capacitor (µF)	Insulation Class	Voltage (V)	Frequency (Hz)
PUEBACDXM70/07	Single	0.55	7.5	4.6	2800	16	F	230	50
PUEBACDXM90/10	Single	0.75	1	5.6	2800	20	F	230	50
PUEBACDXT90/10	Three	0.75	1	4/2.3	2800	-	F	230/400	50
PUEBACDXM120/07	Single	0.55	0.8	4.6	2800	16	F	230	50
PUEBACDXM120/12	Single	0.9	1.2	6.9	2800	20	F	230	50
PUEBACDXT120/12	Three	0.9	1.2	5.2/3	2800	-	F	230/400	50
PUEBACDXM120/20	Single	1.5	2	9.3	2800	40	F	230	50
PUEBACDXM200/12	Single	0.9	1.2	6.3	2800	31.5	F	230	50
PUEBACDXM200/20	Single	1.5	2	10.2	2800	40	F	230	50
PUEBACDXT200/20	Three	1.5	2	7/4	2800	-	F	230/400	50

DIMENSIONS

Code	H (mm)	H1 (mm)	B (mm)	A (mm)	Weight (kg)
PUEBACDXM70/07	229.5	106	321	208	10.4
PUEBACDXM90/10	229.5	106	321	208	11.9
PUEBACDXT90/10	229.5	106	321	208	11.9
PUEBACDXM120/07	229.5	106	321	208	10.4
PUEBACDXM120/12	229.5	106	321	208	12.5
PUEBACDXT120/12	229.5	106	321	208	12.5
PUEBACDXM120/20	250	118	347	232	17.2
PUEBACDXM200/12	229.5	106	318	208	16.3
PUEBACDXM200/20	229.5	106	347	208	15.3
PUEBACDXT200/20	229.5	106	347	208	14.2

