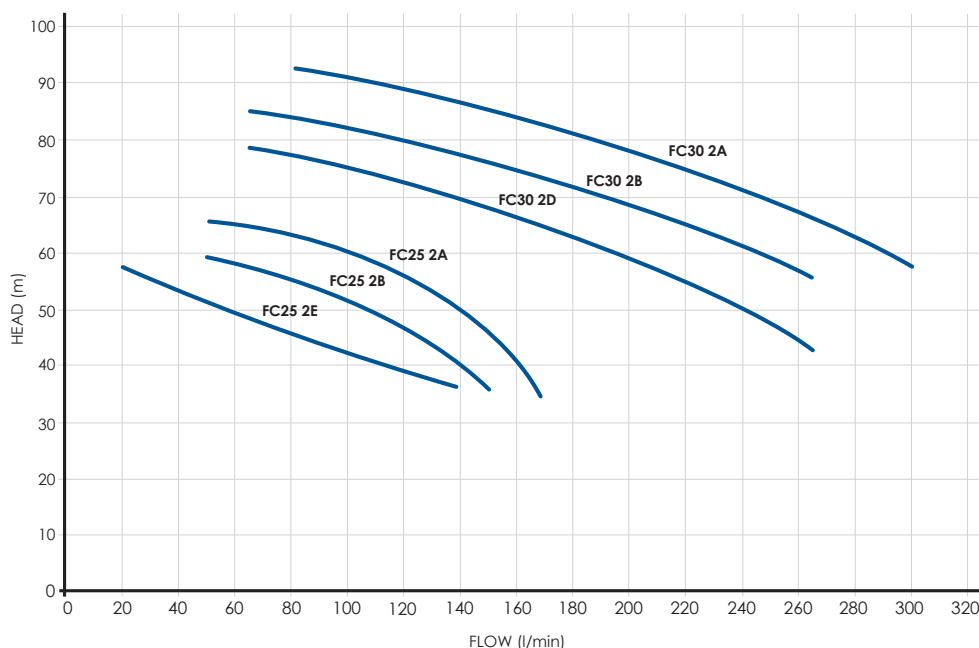


Saer FC Series

SAER
ELETTROPOMPE

- Centrifugal electric pump with twin impellers
- Used for high head low volume for feeding farm troughs
- Single and three phase
- Made in Italy



PERFORMANCE GUIDE

Code	Max Head (m)	Max Flow (l/min)	Max Pressure (PSI)	Inlet (inch)	Outlet (inch)
PUSAERFC25-2EM	61.5	133	87	1 1/4	1
PUSAERFC25-2ET	61.5	133	87	1 1/4	1
PUSAERFC25-2BM	64	150	90	1 1/4	1
PUSAERFC25-2BT	64	150	90	1 1/4	1
PUSAERFC25-2AT	70	167	99	1 1/4	1
PUSAERFC30-2DT	83	267	118	1 1/2	1 1/4
PUSAERFC30-2BT	88	260	125	1 1/2	1 1/4
PUSAERFC30-2AT	96	200	136	1 1/2	1 1/4

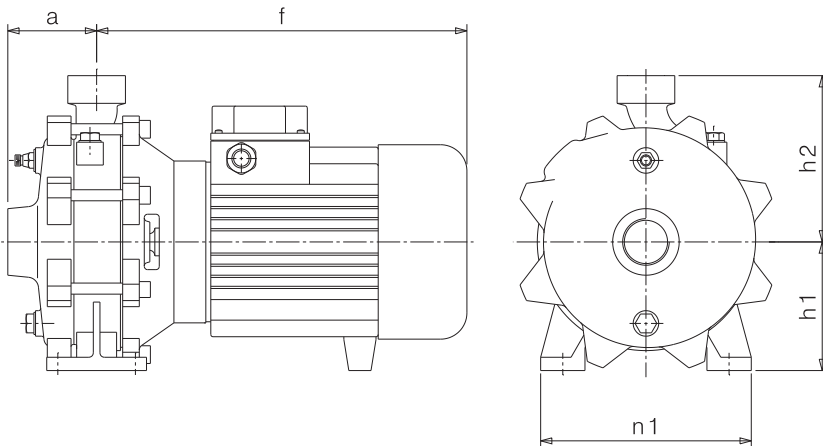


Saer FC Series

- Centrifugal electric pump with twin impellers
- Used for high head low volume for feeding troughs
- Single and three phase
- Made in Italy

ELECTRICAL DATA

Code	Current Type	kW	Hp	Amps	RPM/min	Capacitor (µF)	Insulation Class	Voltage (V)	Frequency (Hz)
PUSAERFC25-2EM	Single	1.5	2	12	2850	40	F	230	50
PUSAERFC25-2ET	Three	1.5	2	9.1/5.3	2850	N/A	F	230/400	50
PUSAERFC25-2BM	Single	2.2	3	15.5	2850		F	230	50
PUSAERFC25-2BT	Three	2.2	3	10/5.8	2850	N/A	F	230/400	50
PUSAERFC25-2AT	Three	3	4	12/7	2850	N/A	F	230/400	50
PUSAERFC30-2DT	Three	4	5.5	13.4/7.8	2850	N/A	F	400/690	50
PUSAERFC30-2BT	Three	5.5	7.5	11/6.4	2850	N/A	F	400/690	50
PUSAERFC30-2AT	Three	7.5	10	16/9.3	2850	N/A	F	230/400	50



DIMENSIONS + WEIGHTS

Code	a (mm)	f (mm)	n1 (mm)	h1 (mm)	h2 (mm)	Weight (kg)
PUSAERFC25-2EM	79	290	190	115	150	29.5
PUSAERFC25-2ET	79	290	190	115	150	29.5
PUSAERFC25-2BM	79	293	190	115	150	32
PUSAERFC25-2BT	79	293	190	115	150	32
PUSAERFC25-2AT	79	425	190	115	150	37
PUSAERFC30-2DT	49	293	240	116	174	52
PUSAERFC30-2BT	92	474	240	132	170	74
PUSAERFC30-2AT	92	474	240	132	170	76