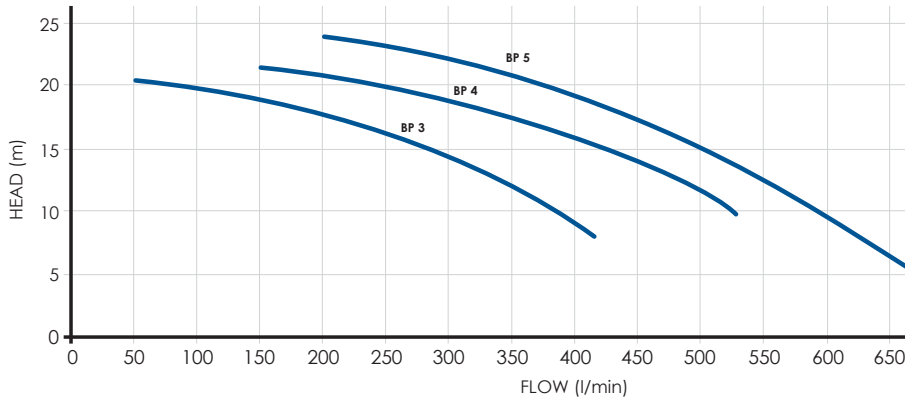
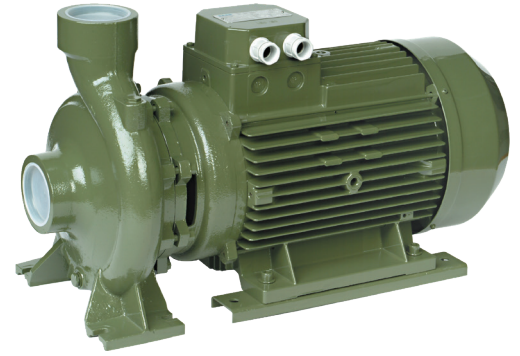


Saer BP Series

SAER
ELETTROPOMPE

- Single impeller close coupled centrifugal pumps
- Ideal for milk cooler systems
- Used for high volumn low pressure requirements
- Single and three phase
- Made in Italy



PERFORMANCE GUIDE

Code	Max Head (m)	Max Flow (l/min)	Max Pressure (PSI)	Inlet (inch BSP)	Outlet (inch BSP)
PUSAERBP3M	21.5	420	31	2	2
PUSAERBP3T	21.5	420	31	2	2
PUSAERBP4M	22	550	31	2	2
PUSAERBP4T	22	550	31	2	2
PUSAERBP5M	24	670	34	2	2
PUSAERBP5T	24	670	34	2	2

ELECTRICAL DATA

Code	Current Type	kW	Hp	Amps	RPM/min	Capacitor (µF)	Insulation Class	Voltage (V)	Frequency (Hz)
PUSAERBP3M	Single	0.75	1	6.6	2850	25	F	230	50
PUSAERBP3T	Three	0.75	1	2.8	2850	N/A	F	400	50
PUSAERBP4M	Single	1.1	1.5	8.8	2850	31.5	F	230	50
PUSAERBP4T	Three	1.1	1.5	3.5	2850	N/A	F	400	50
PUSAERBP5M	Single	1.5	2	12.6	2850	40	F	230	50
PUSAERBP5T	Three	1.5	2	4.9	2850	N/A	F	400	50

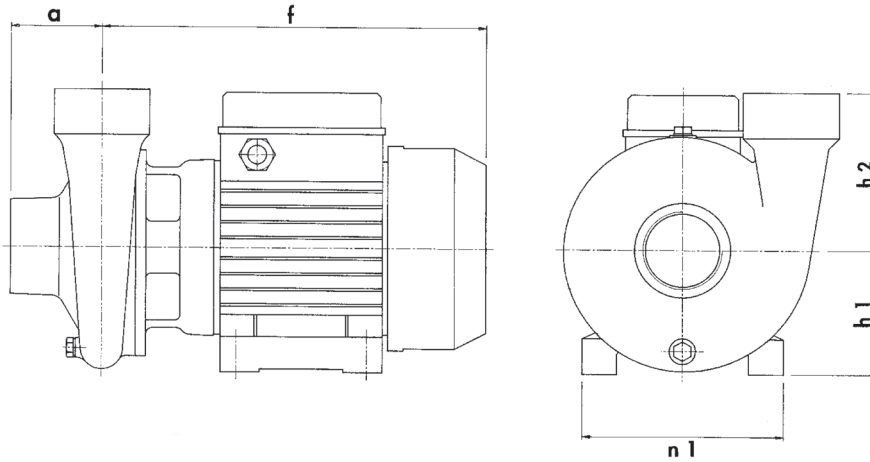
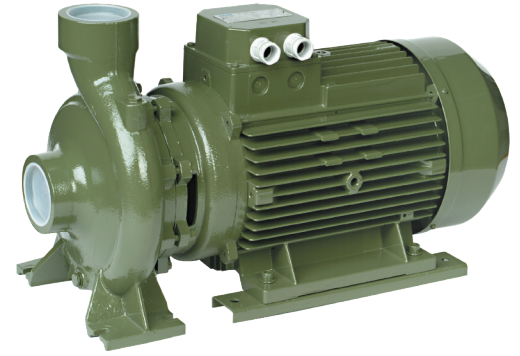


Electric Motors | Drives | Pumps | Bearings | Power Transmission | Workshop Services
06 354 3651 | sales@soco.co.nz | www.soco.co.nz | 471 Tremain Avenue, Palmerston North

Saer BP Series

SAER[®]
ELETTROPOMPE

- Single impeller close coupled centrifugal pumps
- Ideal for milk cooler systems
- Used for high volumn low pressure requirements
- Single and three phase
- Made in Italy



DIMENSIONS + WEIGHTS

Code	a (mm)	f (mm)	n1 (mm)	h1 (mm)	h2 (mm)	Weight (kg)
PUSAERBP3M	70	294	152	96	122	16
PUSAERBP3T	70	294	152	96	122	16
PUSAERBP4M	70	294	152	96	122	19.2
PUSAERBP4T	70	294	152	96	122	19.2
PUSAERBP5M	70	294	152	96	122	22
PUSAERBP5T	70	294	152	96	122	22

