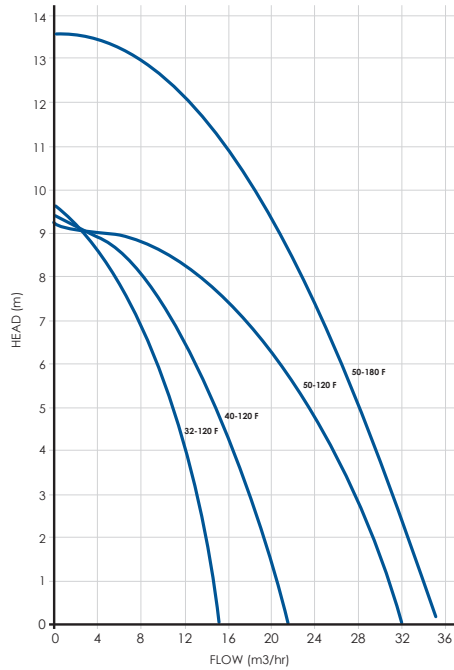


Grundfos UPS F Series



- Three speed inline circulator pumps for clean water
- Cast iron pump body
- Suitable for hot or cold water systems
- 1 - 3 speed
- Flanged series



PERFORMANCE GUIDE

Code	Max Head (m)	Max Flow (m ³ /hr)	Max Pressure (psi)	Speed	Max Liquid Temp (°C)	Flange	Pipe Connection (mm)	Port to Port length (mm)	Pump Body
PUGRUUPS32-120FT	9.5	13	13	3	120	Y	DN 32	220	Cast Iron
PUGRUUPS40-120F	9	19	13	3	120	Y	DN 40	250	Cast Iron
PUGRUUPS50-120F	9	29	13	3	120	Y	DN 50	280	Cast Iron
PUGRUUPS50-180F	13.5	32	19	3	120	Y	DN 50	280	Cast Iron

ELECTRICAL DATA

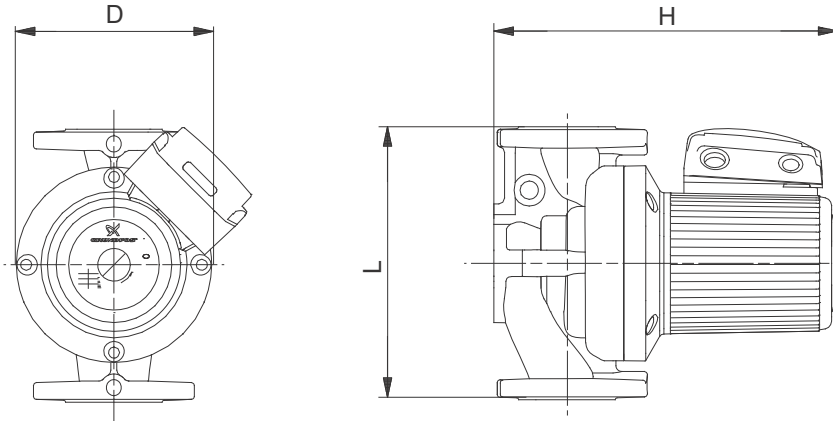
Code	Current Type	Max Power Input (W)	Current in Speed (A)	RPM/min	Insulation Class	Voltage (V)	Frequency (Hz)
PUGRUUPS32-120FT	Three	400	0.78	2850	F	400/415	50
PUGRUUPS40-120F	Three	460	0.92	2850	F	400/415	50
PUGRUUPS50-120F	Three	720	1.3	2850	H	400/415	50
PUGRUUPS50-180F	Three	1000	2	2850	H	400/415	50



Grundfos UPS F Series



- Three speed inline circulator pumps for clean water
- Cast iron pump body
- Suitable for hot or cold water systems
- 1 - 3 speed
- Flanged series



DIMENSIONS

Code	D (mm)	L (mm)	H (mm)	Weight (kg)
PUGRUUPS32-120FT	140	220	310	17.6
PUGRUUPS40-120F	150	250	314	19.5
PUGRUUPS50-120F	165	280	307	25.8
PUGRUUPS50-180F	165	280	351	26.9

