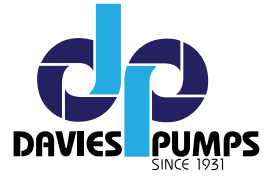
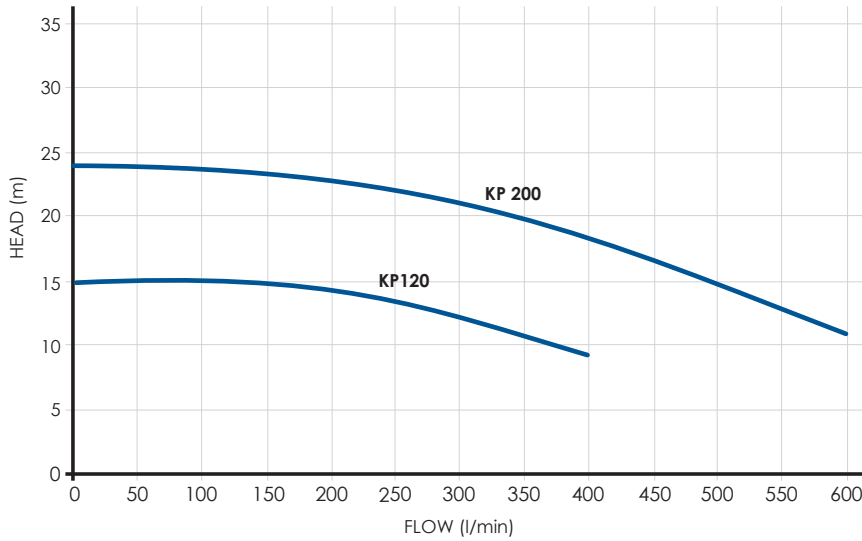


Davies Pumps KP Series



- Cast iron single impeller closed coupled pump
- Ideal for rural or industrial applications such as wash down, transfer or cool water circulation
- Made in Italy



PERFORMANCE GUIDE

Code	Max Head (m)	Max Flow (l/min)	Max Pressure (PSI)	Inlet (mm)	Outlet (mm)
PUDAVKP120M	15	400	21	50	50
PUDAVKP120T	15	400	21	50	50
PUDAVKP200M	24	600	34	50	50
PUDAVKP200T	24	600	34	50	50

ELECTRICAL DATA

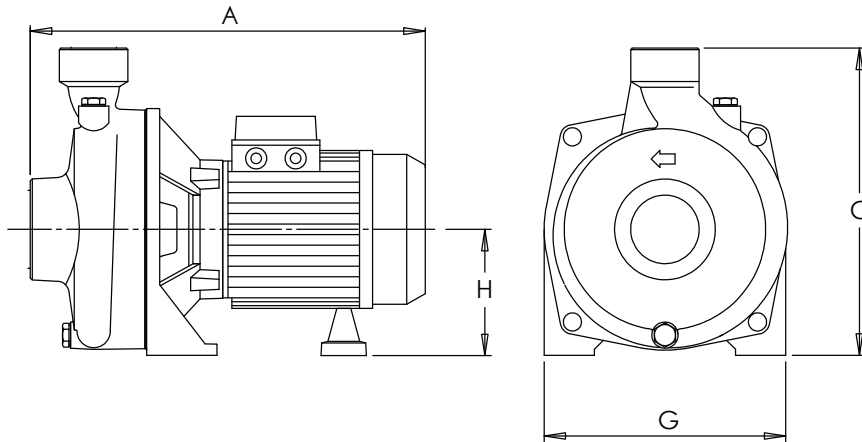
Code	Current Type	kW	Hp	Amps	RPM/min	Capacitor (µF)	Insulation Class	Voltage (V)	Frequency (Hz)
PUDAVKP120M	Single	0.9	1.2	6	2850	20	F	230	50
PUDAVKP120T	Three	0.9	1.2	2.3	2850	-	F	230/400	50
PUDAVKP200M	Single	1.47	2	11.4	2850	25	F	230	50
PUDAVKP200T	Three	1.47	2	7.5/4.4	2850	-	F	230/400	50



Davies Pumps KP Series



- Cast iron single impeller closed coupled pump
- Ideal for rural or industrial applications such as wash down, transfer or cool water circulation
- Made in Italy



DIMENSIONS + WEIGHTS

Code	A (mm)	H (mm)	G (mm)	C (mm)	Weight (kg)
PUDAVKP120M	300	97	180	247	15.5
PUDAVKP120T	300	97	180	147	15.5
PUDAVKP200M	383	118	228	290	28
PUDAVKP200T	383	118	228	290	28

